



GENERAC® GUARDIAN® SERIES STANDBY GENERATORS

20 kW

Air-Cooled Gas Engine Generator Sets

Standby Power Rating

Model 005887-0 (Aluminum - Gray) - 20 kW 60Hz

INCLUDES:

- True Power® Electrical Technology
- Two Line LCD Tri-lingual Digital Nexus™ Controller
- Electronic Governor
- External Main Circuit Breaker, System Status & Maintenance Interval LED Indicators and GFCI Duplex Outlet
- Flexible Fuel Line Connector
- Composite Mounting Pad
- Base Fascia
- Natural Gas or LP Gas Operation
- 3 Year Limited Warranty
- UL 2200 Listed



QUIET-TEST™

FEATURES

- **INNOVATIVE DESIGN & PROTOTYPE TESTING** are key components of GENERAC'S success in "IMPROVING POWER BY DESIGN." But it doesn't stop there. Total commitment to component testing, reliability testing, environmental testing, destruction and life testing, plus testing to applicable CSA, NEMA, EGSA, and other standards, allows you to choose GENERAC POWER SYSTEMS with the confidence that these systems will provide superior performance.
- **TRUE POWER® ELECTRICAL TECHNOLOGY:** Superior harmonics and sine wave form produce less than 5% Total Harmonic Distortion for utility quality power. This allows confident operation of sensitive electronic equipment and micro-chip based appliances, such as variable speed HVAC.
- **TEST CRITERIA:**
 - ✓ **PROTOTYPE TESTED**
 - ✓ **SYSTEM TORSIONAL TESTED**
 - ✓ **NEMA MG1-22 EVALUATION**
 - ✓ **MOTOR STARTING ABILITY**
- **SOLID-STATE, FREQUENCY COMPENSATED VOLTAGE REGULATION.** This state-of-the-art power maximizing regulation system is standard on all Generac models. It provides optimized FAST RESPONSE to changing load conditions and MAXIMUM MOTOR STARTING CAPABILITY by electronically torque-matching the surge loads to the engine. An unequalled ±1% voltage regulation.
- **SINGLE SOURCE SERVICE RESPONSE** from Generac's extensive dealer network provides parts and service know-how for the entire unit, from the engine to the smallest electronic component.
- **GENERAC TRANSFER SWITCHES.** Long life and reliability are synonymous with GENERAC POWER SYSTEMS. One reason for this confidence is that the GENERAC product line includes its own transfer systems and controls for total system compatibility.



FEATURES

Generac® Guardian® Series Standby Generator - 20 kW

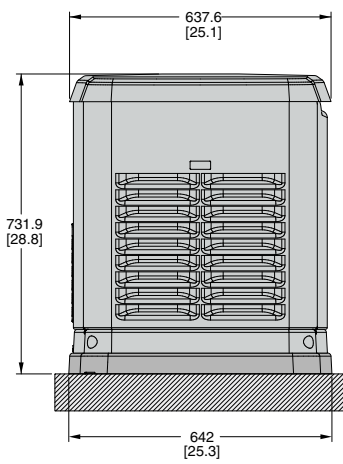
ENGINE	<ul style="list-style-type: none"> •Generac (OHVI) Design 	Maximizes engine “breathing” for increased fuel efficiency. Plateau honed cylinder walls and plasma moly rings help engine run cooler, reducing oil consumption. Because heat is the primary cause of engine wear, the OHVI has a significantly longer life than competitive engines.
	<ul style="list-style-type: none"> •“Spiny-lok” cast iron cylinder walls 	Rigid construction and added durability provide long engine life.
	<ul style="list-style-type: none"> •Electronic ignition/spark advance 	These features combine to assure smooth, quick starting every time.
	<ul style="list-style-type: none"> •Full pressure lubrication system 	Superior lubrication to all vital bearings means better performance, less maintenance and significantly longer engine life. Now featuring a 2 year/200 hour oil change interval.
	<ul style="list-style-type: none"> •Low oil pressure shutdown system •High temperature shutdown 	Superior shutdown protection prevents catastrophic engine damage due to low oil. Prevents damage due to overheating.
GENERATOR	<ul style="list-style-type: none"> •Revolving field 	Allows for smaller, light weight unit that operates 25% more efficiently than a revolving armature generator.
	<ul style="list-style-type: none"> •Skewed stator 	Produces a smooth output waveform for compatibility with electronic equipment.
	<ul style="list-style-type: none"> •Displaced phase excitation 	Maximizes motor starting capability.
	<ul style="list-style-type: none"> •Automatic voltage regulation 	Regulates the output voltage to $\pm 1\%$ prevents damaging voltage spikes.
	<ul style="list-style-type: none"> •UL 2200 Listed 	For your safety
TRANSFER SWITCH	Sold separately	
NEXUS CONTROLS	<ul style="list-style-type: none"> •Manual/Auto/Off switch 	Selects the operating mode.
	<ul style="list-style-type: none"> •Utility voltage sensing 	Constantly monitors utility voltage, setpoints 60% dropout, 80% pick-up, of standard voltage.
	<ul style="list-style-type: none"> •Generator voltage sensing 	Constantly monitors generator voltage to ensure the cleanest power delivered to the home.
	<ul style="list-style-type: none"> •Utility interrupt delay 	Prevents nuisance start-ups of the engine, adjustable 10-30 seconds.
	<ul style="list-style-type: none"> •Engine warm-up 	Ensures engine is ready to assume the load, setpoint approximately 5 seconds.
	<ul style="list-style-type: none"> •Engine cool-down 	Allows engine to cool prior to shutdown, setpoint approximately 1 minute.
	<ul style="list-style-type: none"> •Programmable seven day exerciser 	Operates engine to prevent oil seal drying and damage between power outages by running the generator for 12 minutes every week.
	<ul style="list-style-type: none"> •Smart battery charger 	Delivers charge to the battery only when needed at varying rates depending on outdoor air temperature.
	<ul style="list-style-type: none"> •Main Line Circuit Breaker 	Protects generator from overload.
	<ul style="list-style-type: none"> •Electronic governor 	Maintains constant 60 Hz frequency.
UNIT	<ul style="list-style-type: none"> •Aluminum weather protective enclosure 	Provides the ultimate protection against mother nature. Hinged key locking roof panel for security. Lift-out front for easy access to all routine maintenance items. Electrostatically applied textured epoxy paint for added durability.
	<ul style="list-style-type: none"> •Enclosed critical grade muffler 	Quiet, critical grade muffler is mounted inside the unit to prevent injuries.
	<ul style="list-style-type: none"> •Small, compact, attractive 	Makes for an easy, eye appealing installation.
INSTALLATION SYSTEM	<ul style="list-style-type: none"> •1' Flexible Fuel Line Connector •Composite Mounting Pad 	Easy Installation

GENERATOR		Model 005887-0 (20 kW)
Rated Maximum Continuous Power Capacity (LP)		20,000 Watts*
Rated Maximum Continuous Power Capacity (NG)		18,000 Watts*
Rated Voltage		240
Rated Maximum Continuous Load Current – 240 Volts		83.3 LP/75 NG
Total Harmonic Distortion		Less than 5%
Main Line Circuit Breaker		100 Amp
Phase		1
Number of Rotor Poles		2
Rated AC Frequency		60Hz
Power Factor		1
Battery Requirement (not included)		Group 26R 12 Volts and 525 Cold-cranking Amperes Minimum
Unit Weight (Pounds/Kilos)		451/204.6
Dimensions (L x W x H) Inches/mm		48 x 25 x 29 (1218 x 638 x 732)
Sound output in dB(A) at 23 ft. with generator operating at normal load		66
Sound output in dB(A) at 23 ft. with generator in Quiet-Test™ low speed exercise mode		60
ENGINE		Model 005887-0 (20 kW)
Type of Engine		GENERAC OHVI V-TWIN
Number of Cylinders		2
Displacement		999cc
Cylinder Block		Aluminum w/Cast Iron Sleeve
Valve Arrangement		Overhead Valve
Ignition System		Solid-state w/Magneto
Governor System		Electronic
Compression Ratio		9.5:1
Starter		12 Vdc
Oil Capacity Including Filter		Approx. 1.9 Qts./1.8L
Operating RPM		3,600
Fuel Consumption		
Natural Gas	cu.ft./hr.	
	1/2 Load	
	Full Load	206
Liquid Propane	ft ³ /hr (gal/hr) [Liter/hr]	
	1/2 Load	69 (1.89) [7.15]
	Full Load	106 (2.90) [10.98]
Required fuel pressure to generator fuel inlet at all load ranges - 5 to 7 inches of water column for natural gas, 10 to 12 inches of water column for LP gas For Btu content, multiply ft ³ /hr x 2520 (LP) or ft ³ /hr x 1000 (NG)		
CONTROLS		
2-Line Plain Text LCD Display		Simple user interface for ease of operation
Mode Switch		
-Auto		Automatic Start on Utility failure. 7 day exerciser
-Off		Stops unit. Power is removed. Control and charger still operate.
-Manual/Test (start)		Start with starter control, unit stays on. If utility fails, transfer to load takes place.
Programmable start delay between 10-30 seconds		Standard
Engine Start Sequence		Cyclic cranking: 16 sec. on, 7 rest (90 sec. maximum duration)
Engine Warm-up		5 seconds
Engine Cool-Down		1 minute
Starter Lock-out		Starter cannot re-engage until 5 sec. after engine has stopped.
Smart Battery Charger		Standard
Automatic Voltage Regulation with Over and Under Voltage Protection		Standard
Automatic Low Oil Pressure Shutdown		Standard
Overspeed Shutdown		Standard, 72Hz
High Temperature Shutdown		Standard
Overcrank Protection		Standard
Safety Fused		Standard
Failure to Transfer Protection		Standard
Low Battery Protection		Standard
50 Event Run Log		Standard
Future Set Capable Exerciser		Standard
Incorrect Wiring Protection		Standard
Internal Fault Protection		Standard
Common External Fault Capability		Standard

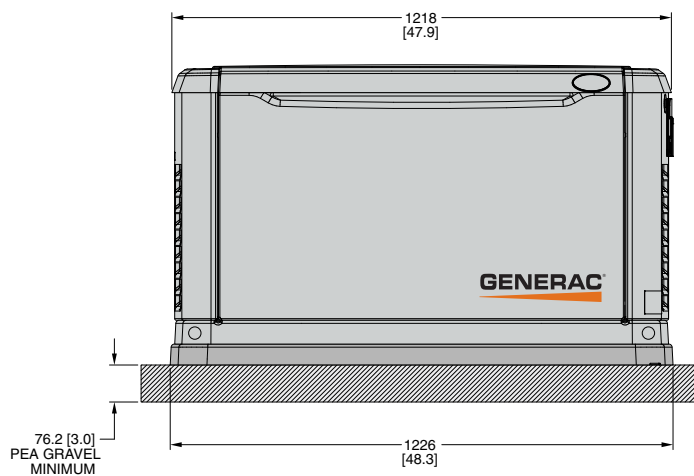
Rating definitions - Standby: Applicable for supplying emergency power for the duration of the utility power outage. No overload capability is available for this rating. (All ratings in accordance with BS5514, ISO3046 and DIN6271). * Maximum wattage and current are subject to and limited by such factors as fuel Btu content, ambient temperature, altitude, engine power and condition, etc. Maximum power decreases about 3.5 percent for each 1,000 feet above sea level.

Generac® Guardian® Series Standby Generator - 20 kW

Design and specifications subject to change without notice. Dimensions shown are approximate. Contact your Generac dealer for certified drawings. DO NOT USE THESE DIMENSIONS FOR INSTALLATION PURPOSES.



LEFT SIDE VIEW



FRONT VIEW



Generac Power Systems, Inc. • S45 W29290 HWY. 59, Waukesha, WI 53189 • generac.com

©2010 Generac Power Systems, Inc. All rights reserved. All specifications are subject to change without notice. Bulletin 0186190SBY-B Printed in U.S.A. 09/28/10